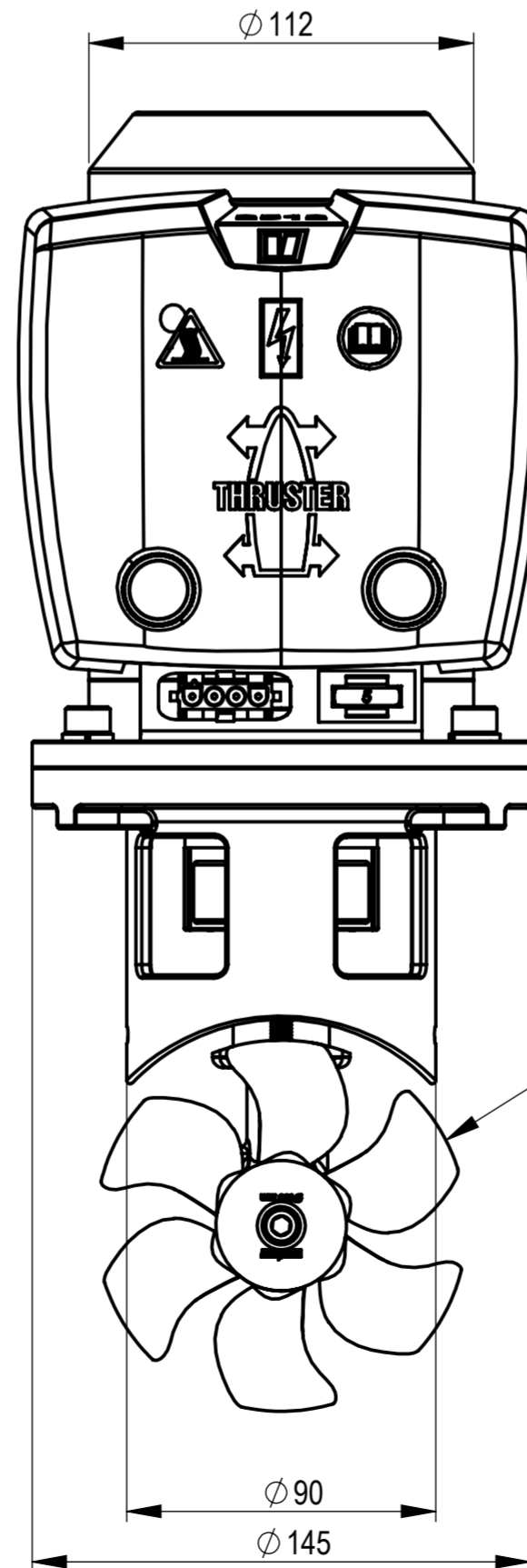
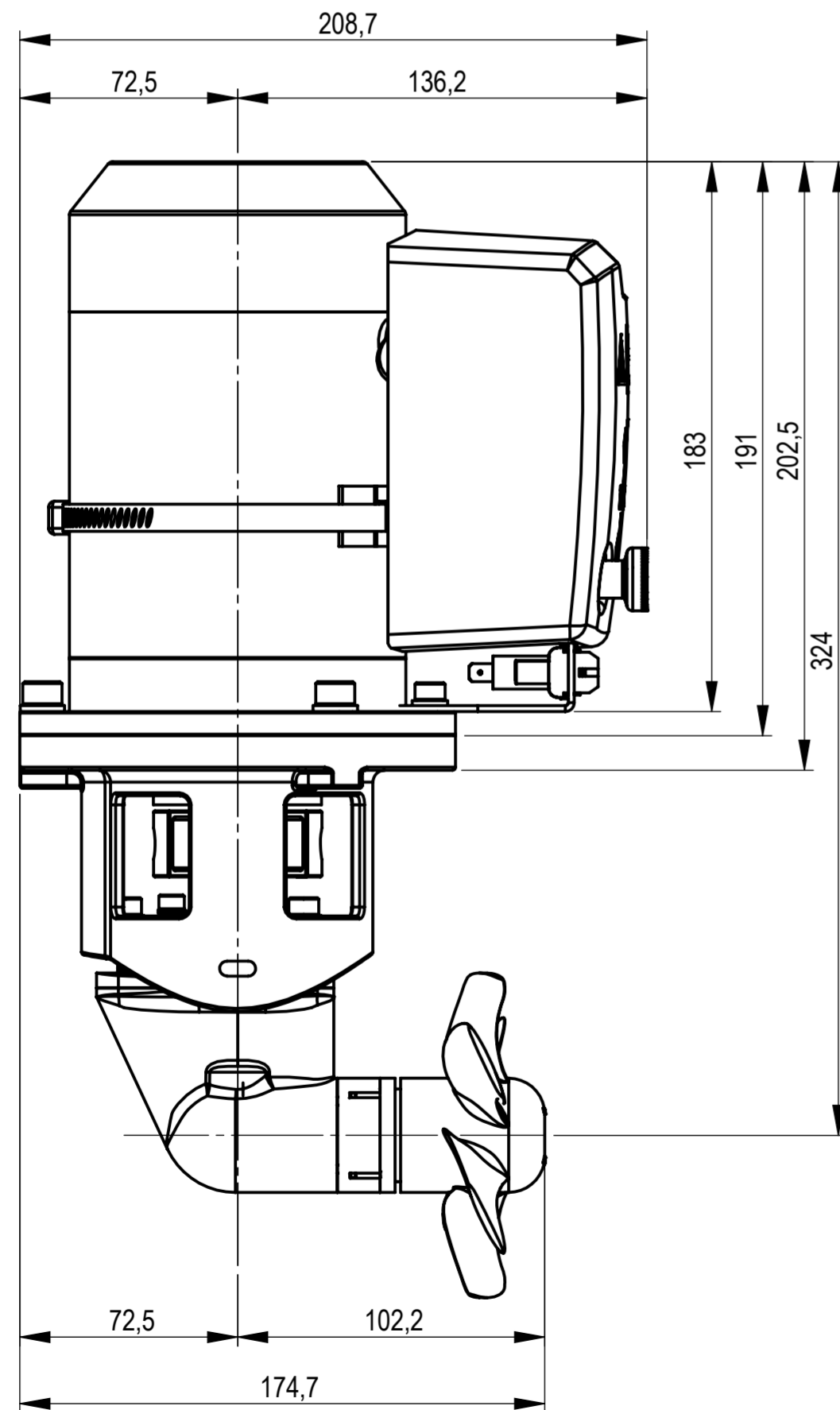
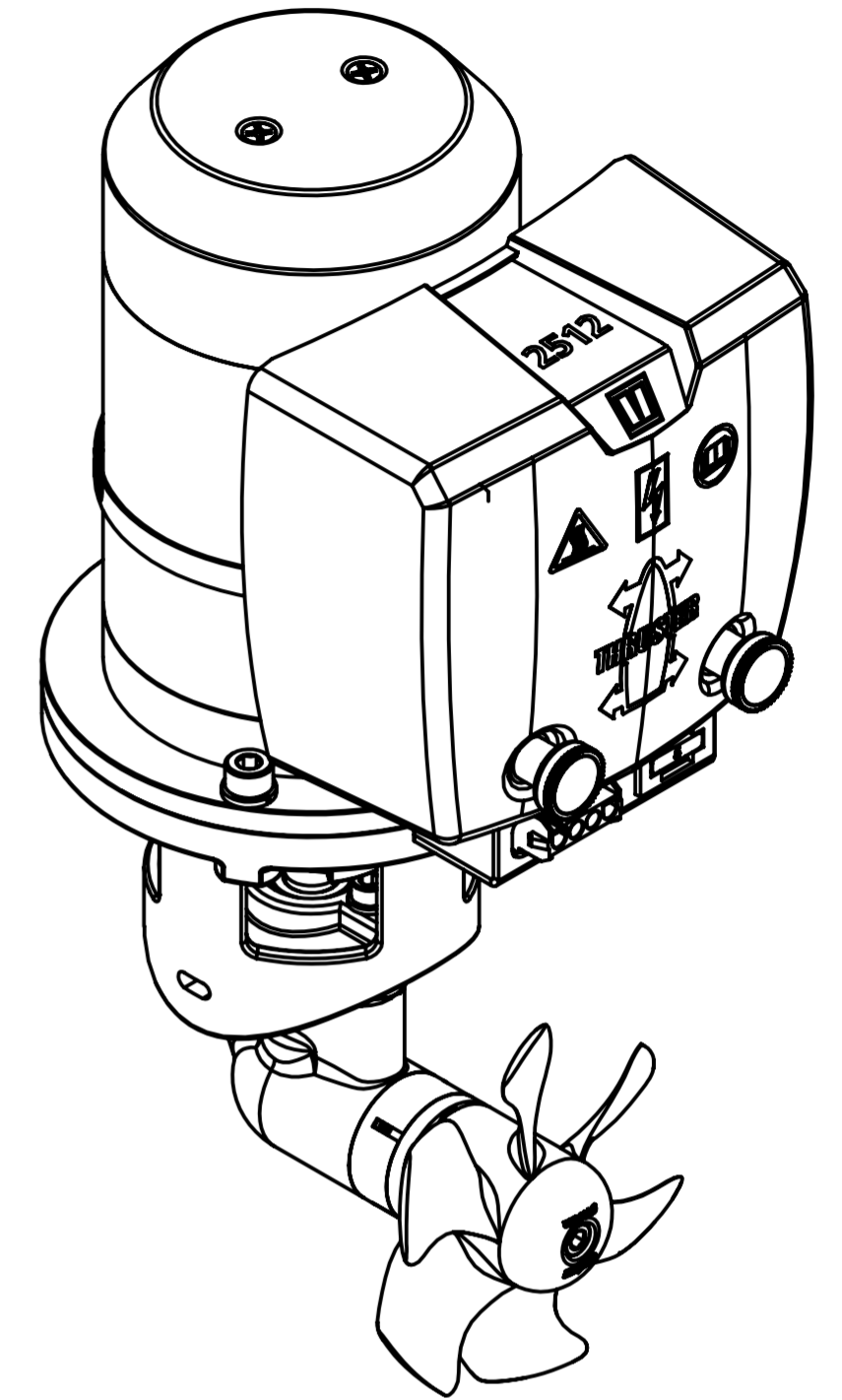


153



PROPELLER DIAMETER = 108mm



Rev:	Made on:	Drawn:	Change:	Tolerances unless otherwise specified: 0. Decimal (x1) ± 0.5 1. Decimal (x10) ± 0.2 2. Decimal (x100) ± 0.1 Angles: ± 0.5°	Description: Bow thruster 25kgf	Drawing No:
				Remove burrs and sharp edges: 0.1-0.25	Description 2: version E	BOW2512E
				Material	ERP code: BOW2512E	Checked:
				Volume: mm3	Material:	Date:
				Weight: gr	Proj:	Drawn: RvdH
					Dim.: mm.	Date: 4-1-2017
					Scale: 1:5	Sheet: 1 of 1
						Sheet Size: A2