



B900 Series

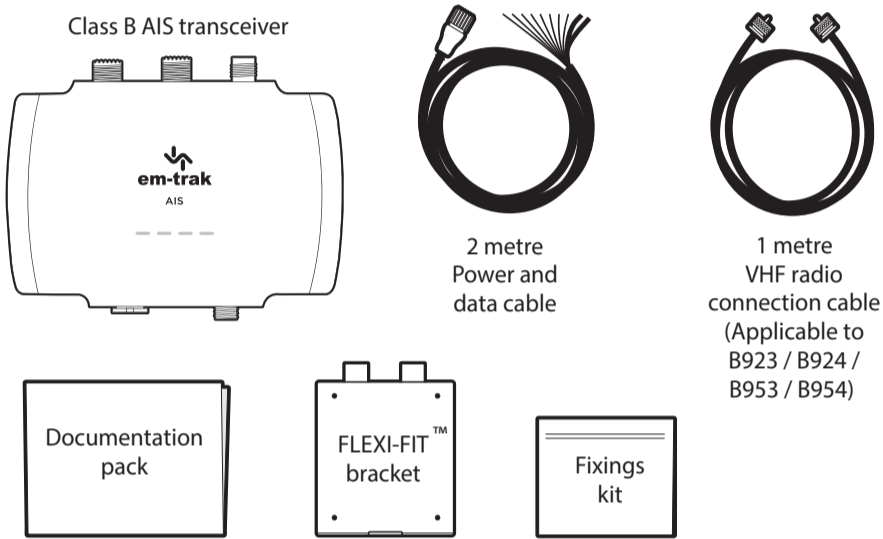
Applicable models:
B921 / B922 / B923 / B924 / B951 / B952 / B953 / B954

Class B AIS Transceiver QUICK-START GUIDE

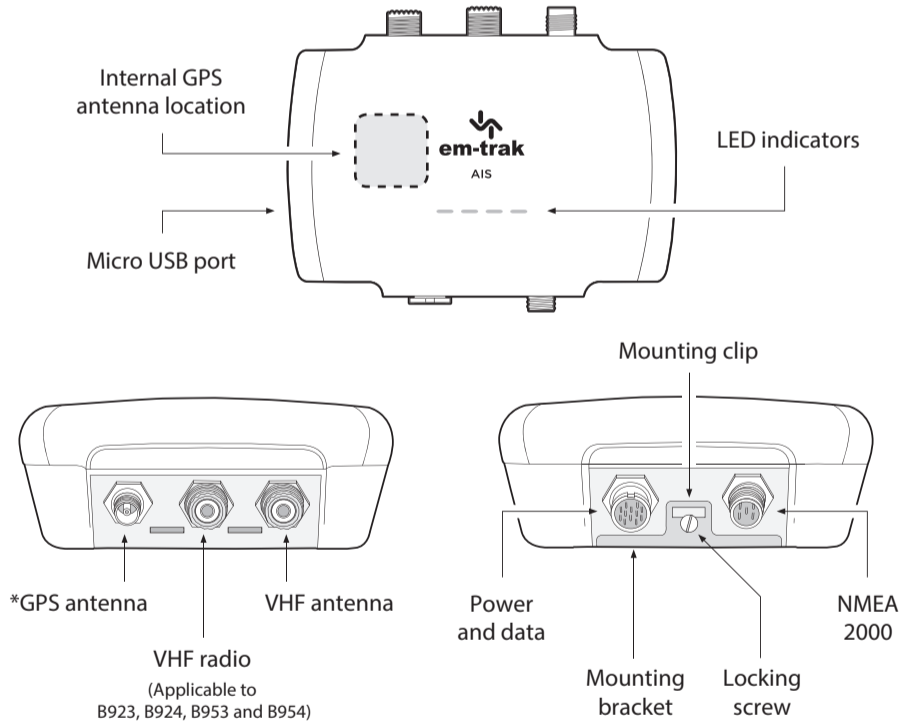


For full instructions of how to install and use your B900 Series Class B AIS Transceiver please refer to the User Manual.

What's in the box?

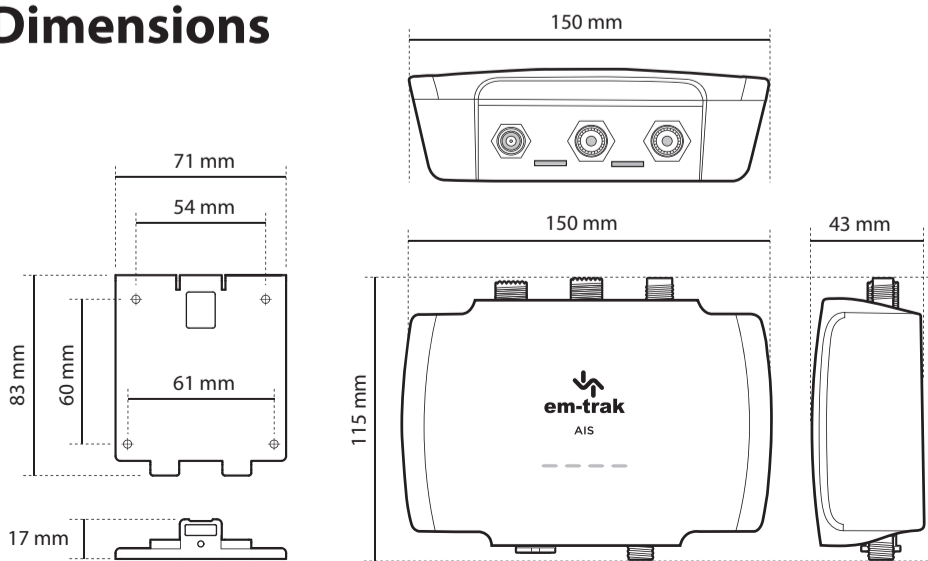


Overview

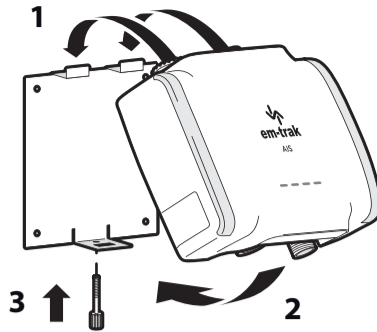


* GPS receiver & antenna supports: GPS, GLONASS, Galileo and BeiDou

Dimensions

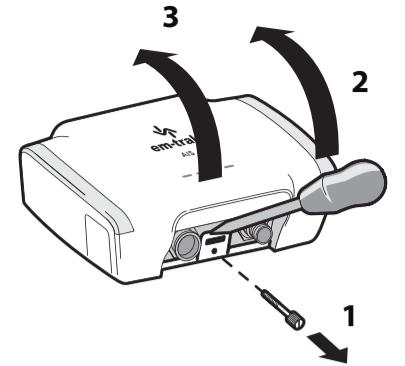


Mounting



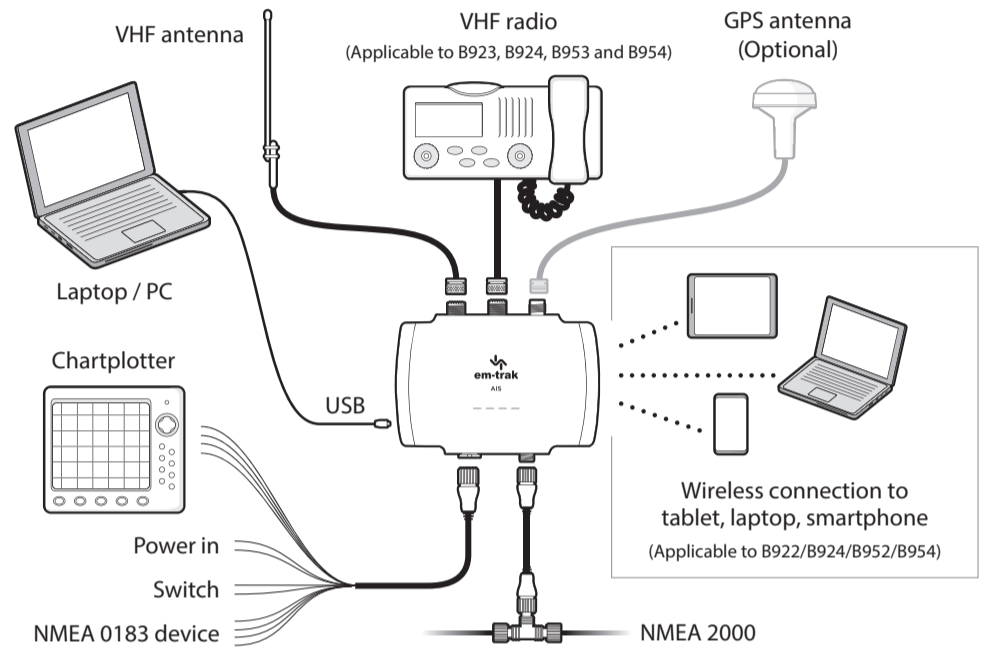
1. Locate and fix mounting bracket
2. Clip transceiver onto bracket
3. If required, tighten security screw

Removal

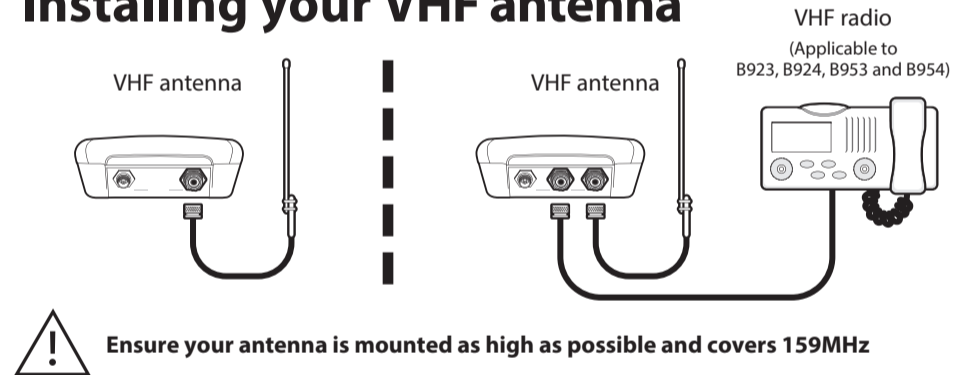


1. Loosen locking screw
2. Release mounting clip with a screwdriver
3. Lift transceiver from bracket

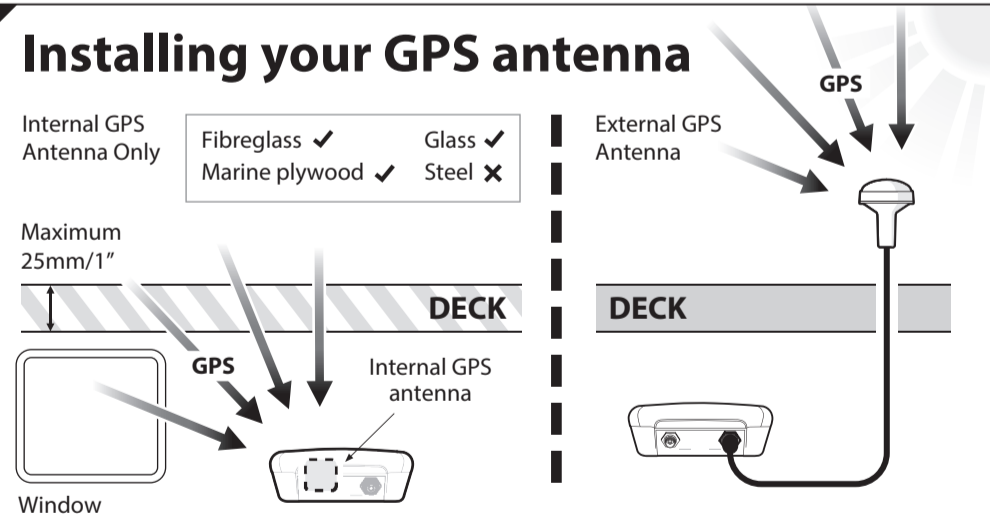
Installation configuration



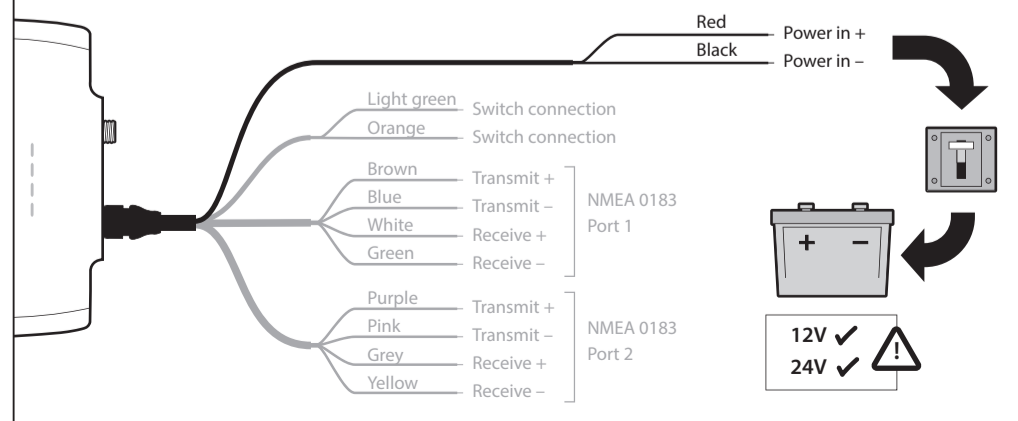
Installing your VHF antenna



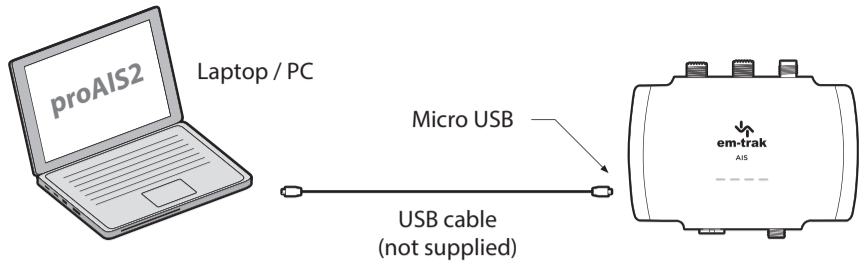
Installing your GPS antenna



Connecting to your power supply



Configuring your transceiver

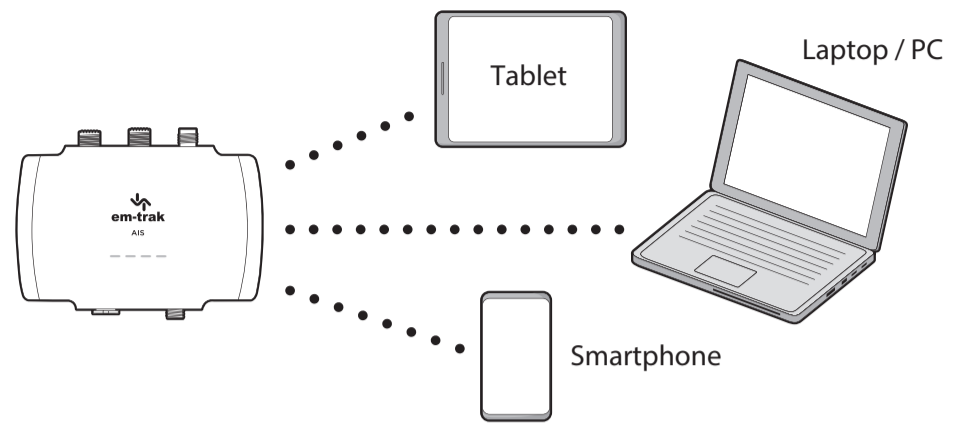


proAIS2 can be downloaded from <https://em-trak.com/installation/>

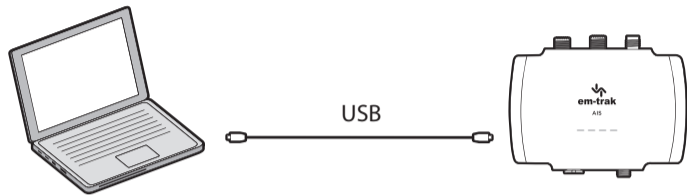
External power not required for USB configuration.

Connecting your mobile device

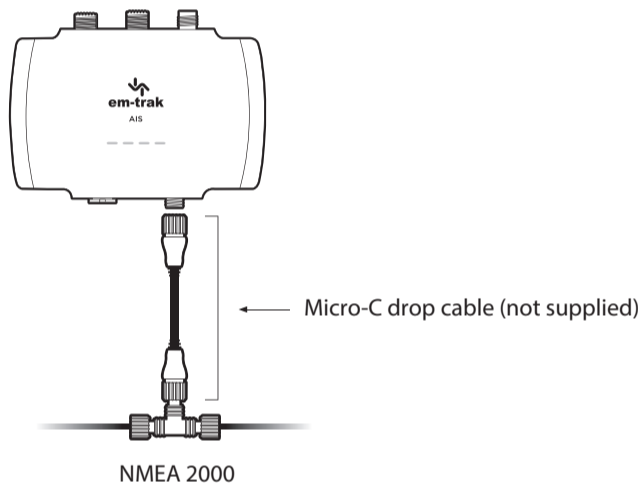
Data can be streamed to two WiFi and seven Bluetooth devices simultaneously.



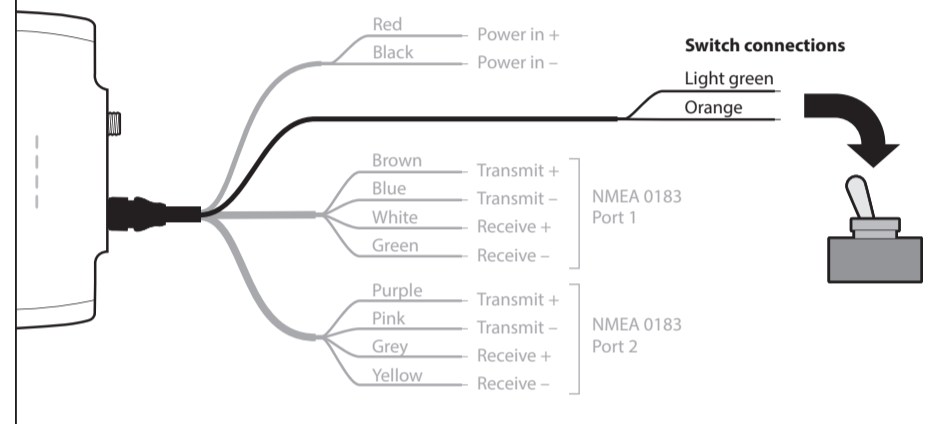
Connecting to your PC



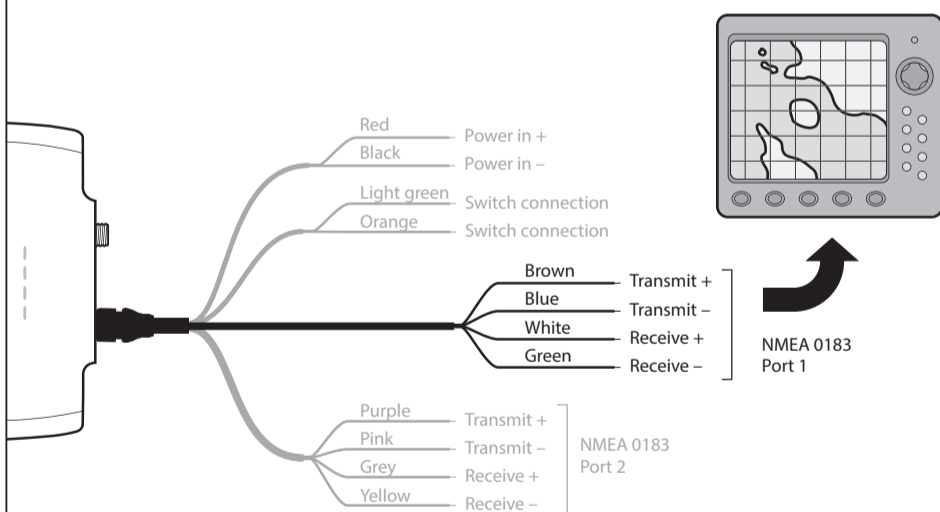
Connecting to your NMEA 2000 network



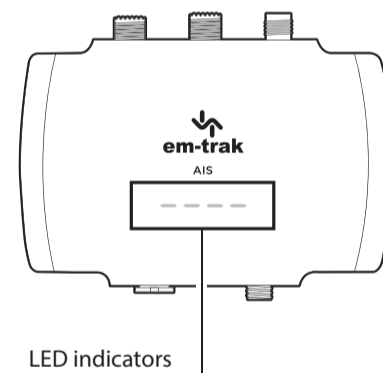
Connecting a silent mode switch



Connecting to your chartplotter



LED indicator functions



Green LED indicator

Indicates that the AIS transceiver is configured, powered up and operating normally.

Red LED indicator

Indicates that the AIS transceiver has detected a system error. The likely causes of this are detailed in the troubleshooting guide in the B900 Series user manual. Alarms displayed in the Diagnostic tab of the em-trak configuration tools will also assist with troubleshooting.

Amber LED indicator

Indicates that the AIS transceiver is not transmitting. This can be for a number of reasons:

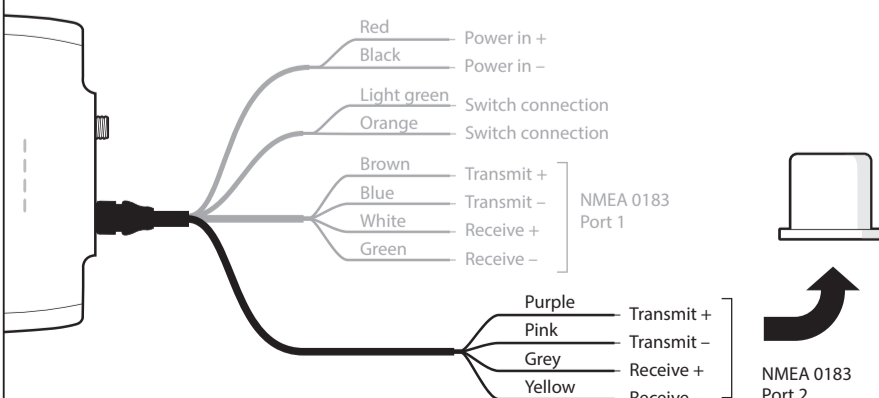
- The AIS radio channels are exceptionally busy so there are currently no available slots for transmission.
- The unit has been in silent mode and after deactivating silent mode this amber LED indicator will illuminate until the first AIS message has been sent.
- The AIS transceiver has been commanded by the local authority (via an AIS base station) to cease transmissions.

Blue LED indicator

Indicates that silent mode is enabled. Silent mode is a feature of the B900 Series that ceases the transmissions from your own vessel, whilst the reception of other vessel position reports continue. You can activate this using the configuration tools or by activating the toggle switch as detailed in the B900 Series user manual.

Green Power
Red Error
Amber No TX
Blue Silent

Connecting to your NMEA 0183 sensor



US customers only



In the USA it is illegal for an end user to configure their own AIS with their vessel data. To do so is a violation of the rules of the United States Coast Guard (USCG). This must be done by a competent installer, such as em-trak, an em-trak dealer or competent marine electronics professional. If your transceiver has not been pre-configured for you please refer to your dealer or contact support@em-trak.com for advice on how to have the transceiver configured legally. If purchasing direct from em-trak online we can configure it for you and dispatch it pre-configured at no extra cost, if you are purchasing from one of our dealers, then they will do it for you.

Head Office:

em-trak Marine Electronics Ltd
Wireless House, Westfield Industrial Estate,
Midsomer Norton, Bath, BA3 4BS, UK
E: support@em-trak.com
T: +44 (0) 1761 409 559, F: +44 (0) 1761 410 093

Regional Office:

em-trak Marine Electronics Ltd
470 Atlantic Avenue, 4th Floor,
Boston, MA 02210, USA
E: enquiries@em-trak.com
T: +1 617 273 8395, F: +1 617 273 8001